

# OFDU-T Rack Mount Termination Cabinet

## Description:

The OFDU-T cabinet is based on universal optical distribution frames. The unified modular system enables easy reconfiguration and can be extended according to operator needs. The OFDU-T provides termination in convenient housing unit. The OFDU-T terminates up to 144 fibers in a 3U distribution frame. This unit can take up to 12 snap-in coupling panels or prewired cassettes. The slide-out and swing down shelf enables unrestricted front, rear and top access to termination panels and cable reserve.

- Premium Aluminum material – **ENAW 5005 H14**
- **Environmental friendly** – no powder color
- Luxury Stainless Steel Look (**SSL**)
- Anti-fingerprint, extra-low height, non-corrosive
- Anti-static and non-conductive material, long lifetime

## Features:

- Premium Aluminum material – **ENAW 5005 H14**
- **Environmental friendly** – no powder color
- Luxury Stainless Steel Look (**SSL**)
- Anti-fingerprint, extra-low height, non-corrosive
- Anti-static and non-conductive material, long lifetime
- Termination cabinet
- Slide-out and drop down shelf
- Aluminum material - low weight and shipment costs
- Up to 144 - fiber termination
- Removable top and back cover enables unrestricted front, rear and top access
- For FTTH use - microtube holder included
- Prewired CAPM cassettes include connectorized fiber pigtails and adapters
- Lockable or latch door options are available
- Durable powder coat finish - RAL 9006

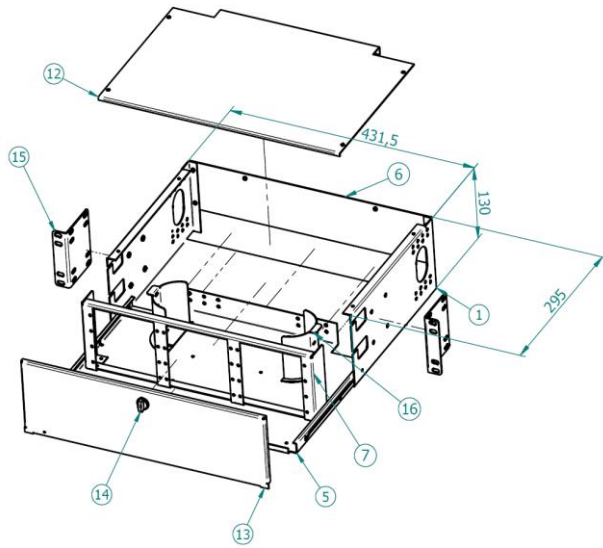
## Technical specifications:

PART NUMBER	RACK UNITS	DIMENSIONS (H x W x D) mm	SHIP WGT (kg)
<b>OFDU-T2</b>	2U	88 x 432 x 305	1.5
<b>OFDU-T3</b>	3U	133 x 432 x 305	1.9

<b>OFDU-T2 - typical patch panel capacity</b>		
CNPM or CAPM <sup>1</sup>	Max	Fibers
CNPM-XX-06	6	36
CNPM-XX-08		48
<b>OFDU-T3 - typical patch panel capacity</b>		
CNPM-XX-06	12	72
CNPM-XX-08		96

Note: 1) CNPM coupling panel: CMS\_24-01\_EN-CNPM  
CAPM prewired cassette with pigtails and adapters: CMS\_22-01\_EN-CAPM

## Product information and specification



Parts which are available separately:

1	OFDU-BU-X	base unit
5	OFDU-SS	sliding shelf
6	OFDU-RC-X	rear cover
7	OFDU-CP-X	connector panel
12	OFDU-TC	top cover
13	OFDU-DM-X	front door metal (plexi)
14	Key lock / latch	
15	UH-X	unit holder
16	BRP reel	radius protection

X=2,3 – rack unit

## Ordering Code:

**OFDU-TX - XXX - XX(F)<sup>1</sup> X - XX - /(G)<sup>2</sup>(UHV)<sup>3</sup>**

<b>Version</b>
<b>OFDU-T2</b> 2U
<b>OFDU-T3</b> 3U

<b>Front Door Option</b>
<b>LM</b> Metal door - lock
<b>ZM</b> Metal door - latch
<b>LP</b> Plexi door - lock
<b>ZP</b> Plexi door - latch

<b>Panel Capacity</b>
<b>006 – 144 Fibers</b>

Coupling Type	Applications
<b>ST</b> ST adapter	<b>M</b> Multimode
<b>SC(F)</b> SC adapter	<b>S</b> Singlemode
<b>FC</b> FC adapter	<b>A</b> APC
<b>E2(F)</b> E2000 adapter	<b>x</b> No adapters
<b>DSC(F)</b> SC duplex adapter	
<b>DLC(F)</b> LC duplex adapter	
<b>DMU(F)</b> MU duplex adapter	
<b>MJ</b> MT-RJ adapter Duplex E2000	
<b>DE2(F)</b> adapter	



Key lock

Metal latch

Note: 1) "F" – fixed adaptors by screws, 3) UHV – vertical unit holder

2) G – grounding option – protection grounding wires installed, see datasheet CMS\_01-02\_EN-accessories



Frame closed with metal door and key lock



Frame closed with plexi door and latch