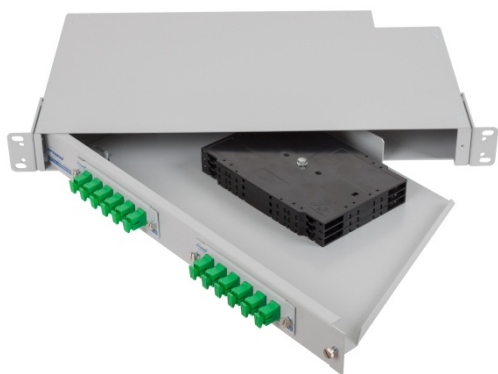


# MCNP

## Rack Mount Connector Network Panel

### Description:

The MCNP Connector Network Panel is an economical rack mountable patch panel for use with splicing of manufactured pigtails, preterminated cables and field-installable connectors. The cables are strain-relieved at the rear of the unit. The pivoting shelf can be equipped with either a splice tray holder or bend radius protection which guides, stores and organizes excess slack. This prevents damage to fibers prior to routing into couplings. The MCNP is used in installations where space is limited.



MCNP-1S-12-SC A-C-2

### Features:

- Splicing and termination optical cable in one box
- Pivoting shelf eases connector routing and cable routing
- Extended (3 coupling panels per 1U) version available
- Version for installation of adaptors under angle
- Accommodates up to 48 fibers in 1 rack unit
- Splice cassette holder enables cable termination with the help of pigtail splicing
- Enables management and rearrangement of cable slack
- Protection: IP20
- Cable strain-relief and grounding provisions
- Accepts the industry's most common connector types
- FTTH use – microtubes holder included
- Passed seismic tests according to ASME standards
- Approved for Construction of Nuclear Power Plant Components
- Operating temperature -40 to +85 °C<sup>1</sup>

### Technical specifications:

PART NUMBER	FIBER CAPACITY <sup>2</sup>		RACK UNITS	DIMENSIONS (HxWxD) mm	SHIP WGT (kg)
	CNPM-XX-06 <sup>3</sup>	CNPM-XX-08 <sup>3</sup>			
MCNP – 1S	12	16	1	44 x 432 x 280	2.4
MCNP – 2S	24	32	2	88 x 432 x 280	3.8
MCNP – 3S	36	48	3	133 x 432 x 280	5.2
MCNP – 1E	18	24	1	44 x 432 x 280	2.4
MCNP – 2E	36	48	2	88 x 432 x 280	3.8
MCNP – 3V	72	96	3	133 x 432 x 280	5.5
MCNP – 2A <sup>4</sup>	48 angled adaptors, no CNPM panels		2	88 x 432 x 280	3.8

Note: 1) Conditioned by cable and connector/adaptors temperature range

2) Splice Tray: CMS\_01-09\_EN-KNS Splice\_trays

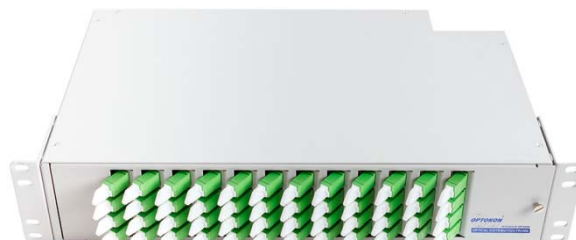
3) CNPM coupling panel: CMS\_24-01\_EN-CNPM

CNPM-XX-06 6 pcs ST, FC, SC, E2000, ... adaptors

CNPM-XX-08 8 pcs ST, FC, SC, E2000, ... adaptors

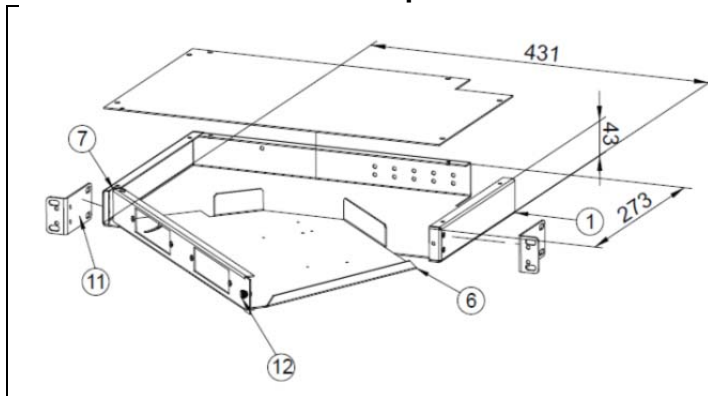
4) MCNP-2A - special front panel with angle mount adaptors

- CNPM panels not used in this variant
- SC footprint adaptor types (SC, DLC, E2000, MT-RJ, etc.)



MCNP-2A-48-E2 A-C-4

## Product information and specification



Parts which are available separately:

- 1 OFDU-BU-X base unit
- 6 MCNP-TS-1 twisting shelf
- 7 MCNP-CP-1 front panel
- 8 MCNP-TC top cover
- 11 UH-X unit holder
- 12 Front panel fixation screw

X=2,3 – rack unit

## Ordering Code:

**MCNP - XX - XX - XX(F)<sup>5</sup> X - X - XX**

### Version

Rack Unit	Type
1 1U	<b>S</b> Standard (2 panels per 1U)
2 2U	
3 3U	<b>V</b> Vertical (12 panels per 3U)
	<b>E</b> Extended (3 panels per 1U)
	<b>A</b> Angled (no CNPM panels)

### Fiber Capacity

12, 24, ..fibers

### Coupling Type

<b>XX</b>		<b>X</b>
<b>ST</b>	ST	<b>M</b> Multimode
<b>SC(F)</b>	SC	<b>S</b> Single mode
<b>FC</b>	FC	<b>A</b> APC
<b>E2(F)</b>	LSH (E2000)	
<b>MJ</b>	MT-RJ	
<b>DSC(F)</b>	duplex SC	
<b>DLC(F)</b>	duplex LC	
<b>DMU(F)</b>	duplex MU	

### X - Option for Fiber Termination

- B** Bend radius protectors
- C** Splice cassette for 12 splicing

### XX - Number of Splice Cassettes

- 0** No cassette  
(Bend radius protectors)
- 1** 1 Splice cassette
- 2** 2 Splice cassettes
- 3** 3 Splice cassettes
- ... up to 12 splice cassettes

Note: 5) "F" fixed adaptors by screws



MCNP-2S with KNS-12S splicing cassettes



MCNP-1S top cover removed